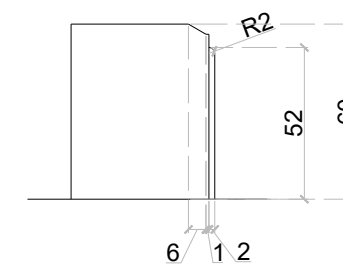
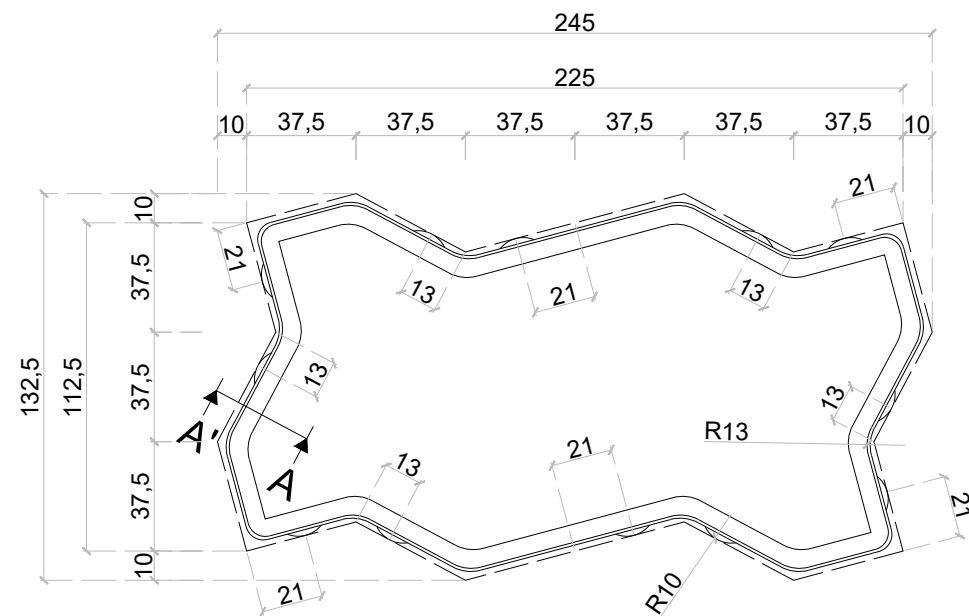


DT010

112.5X225X60 MM S WAVE

STONE HEIGHT

60 MM



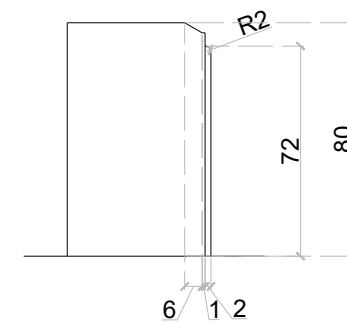
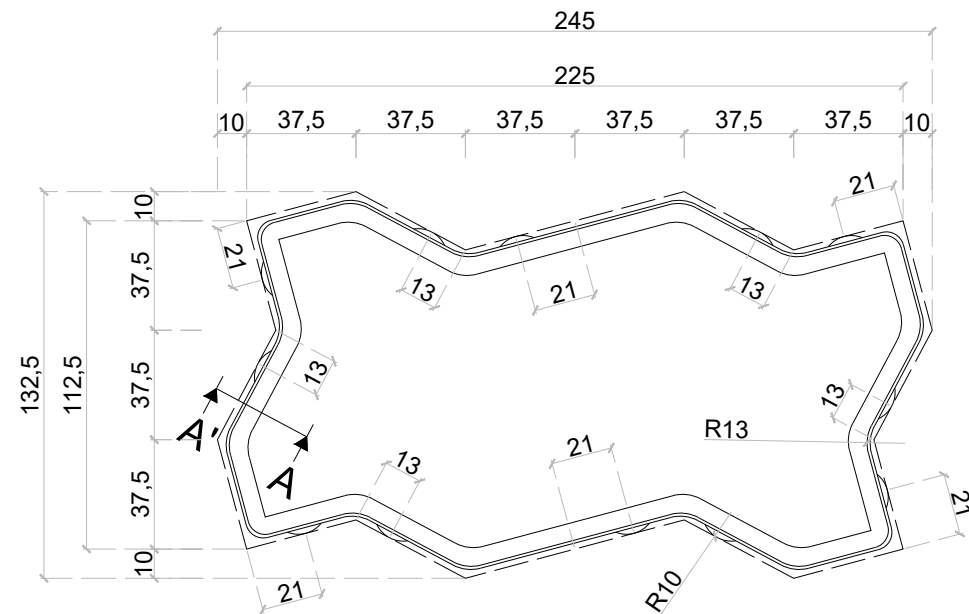
A'-A SECTION

DT011

112.5X225X80 MM S WAVE

STONE HEIGHT

80 MM



A'-A SECTION